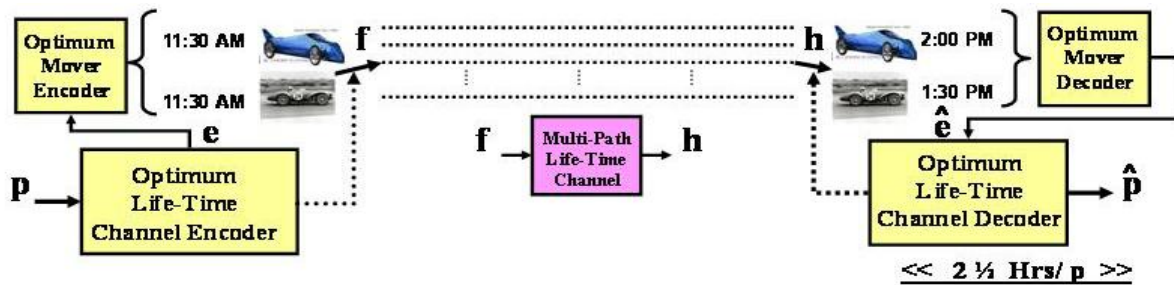
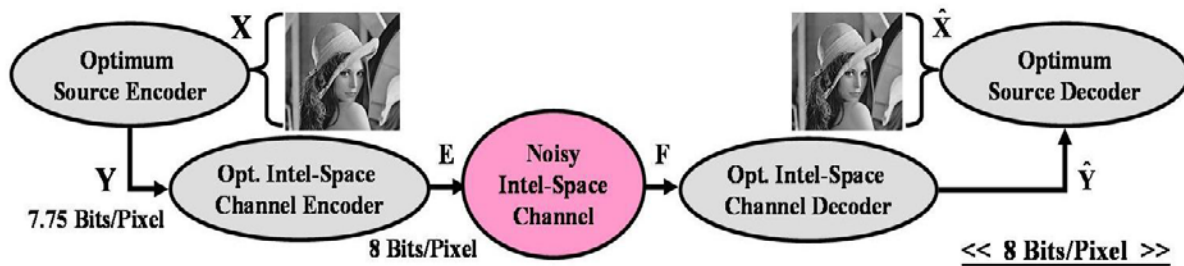


LIT Quadrants Overview

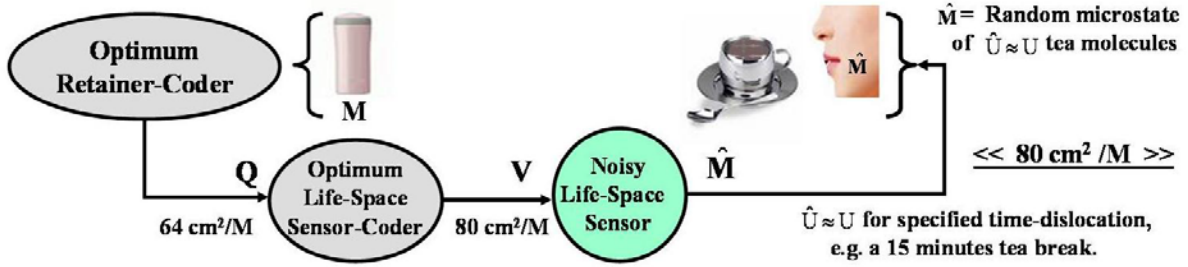
Quadrant I - Physical Latency Theory: The Guidance of Life-Time Compressor Designs



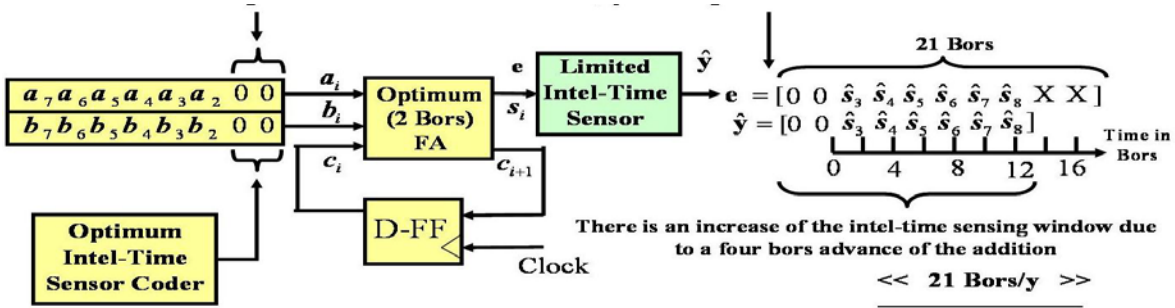
Quadrant II - Mathematical Information Theory: The Guidance of Intel-Space Compressor Designs



Quadrant III - Physical Information Theory: The Guidance of Life-Space Compressor Designs



Quadrant IV - Mathematical Latency Theory: The Guidance of Intel-Time Compressor Designs



The Latency-Information Theory Revolution

Simulation Programs